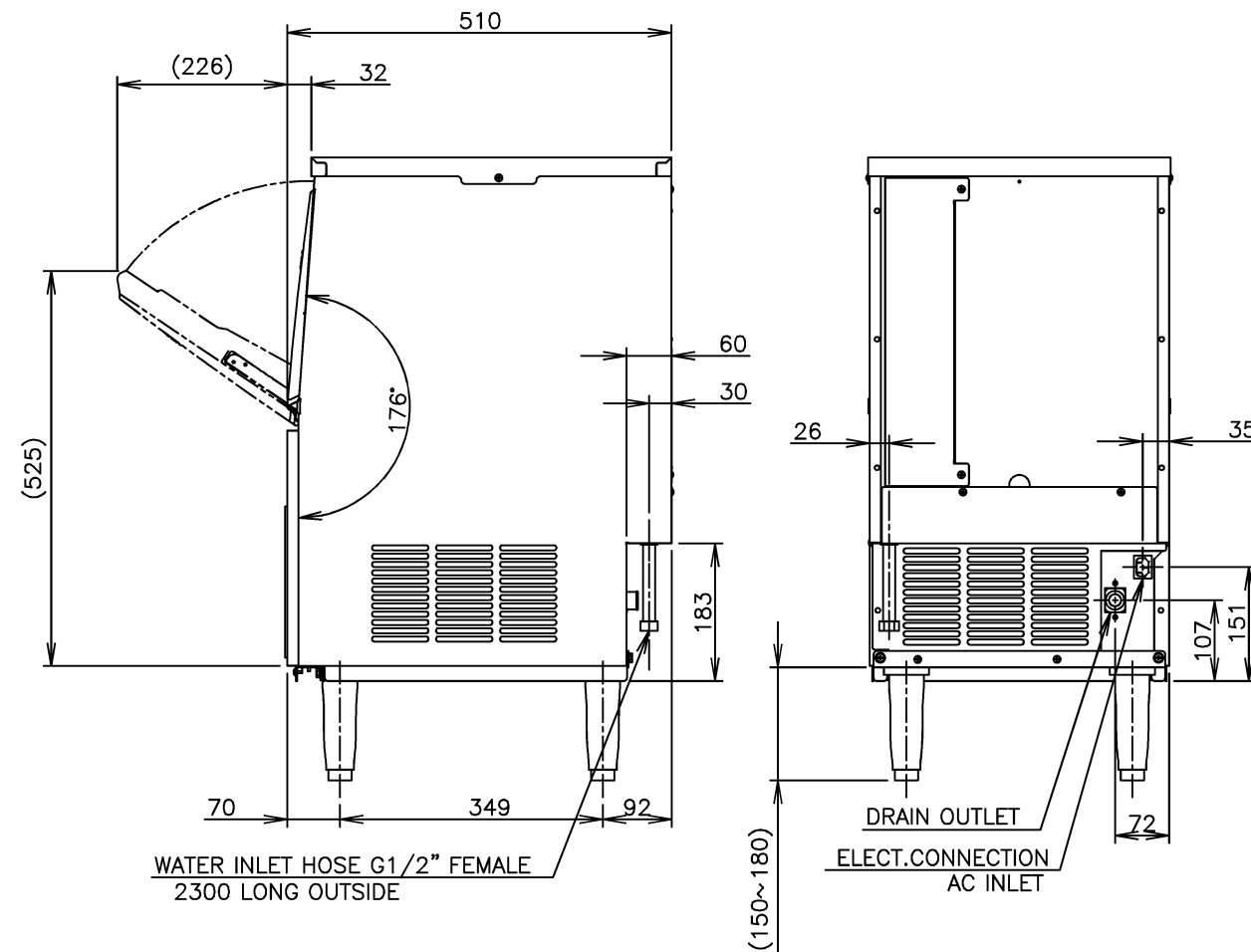
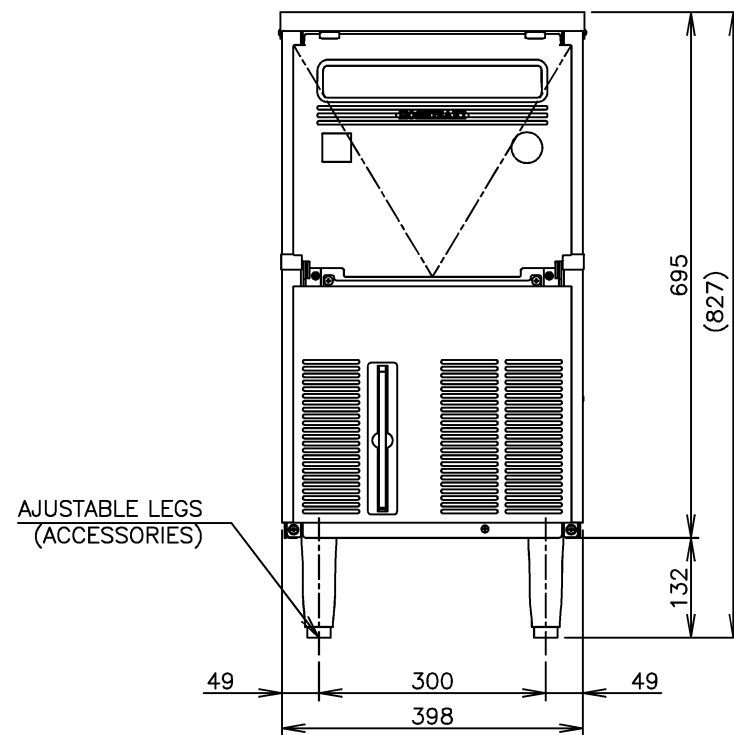
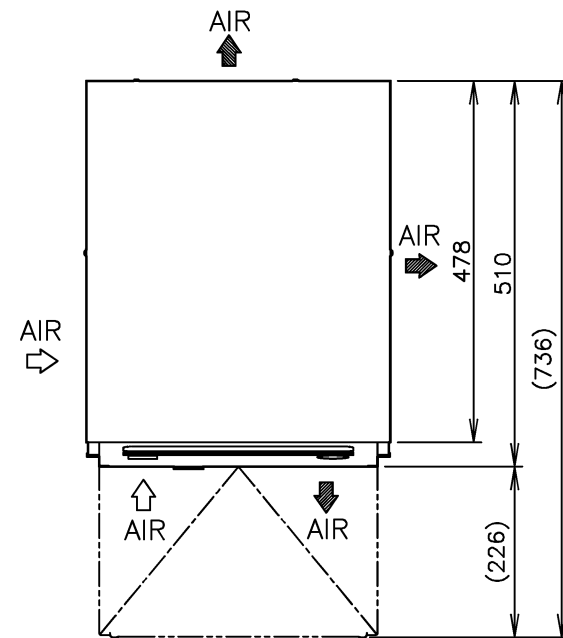


1. Install the ice maker properly in accordance with the instructions on location, water supply/drain connections and electrical connections stated in the instruction and installation manuals provided. Allow 10mm extra space at the installation site to meet any installation requirements (additional spacing is also required for proper air flow and pipe connections).
2. The ice production depends on the ambient and water temperatures. Refer to the instruction manual.
3. Product code: M035-C105



| | | |
|---------------------------------|---|------------------|
| ITEM | Hoshizaki Cube Ice Maker | |
| MODEL | IM-30CA-25 | |
| AC SUPPLY VOLTAGE | 1 PHASE 220-240V 50Hz | |
| AMPERAGE | 1.7A (AT.32°C, WT.21°C) | |
| STARTING AMPERAGE | 9A | |
| ELECTRIC CONSUMPTION | 250W (AT.32°C, WT.21°C) | |
| POWER FACTOR | 61% | |
| POWER SUPPLY CAPACITY | Min. 0.59kVA (2.5A) | |
| ICE PRODUCTION PER 24h | Approx. 25kg (5mm) / 30kg (15mm) (AT.10°C, WT.10°C) | |
| | Approx. 24kg (5mm) / 28kg (15mm) (AT.21°C, WT.15°C) | |
| | Approx. 24kg (5mm) / 25kg (15mm) (AT.32°C, WT.21°C) | |
| WATER CONSUMPTION PER 24h | Approx. 0.17m ³ (5mm)(AT.10°C, WT.10°C) | |
| | Approx. 0.08m ³ (5mm) (AT.21°C, WT.15°C) | |
| | Approx. 0.07m ³ (5mm) (AT.32°C, WT.21°C) | |
| SHAPE OF ICE | Cube Approx. 25×25×23mm | |
| FREEZE CYCLE TIME | 15min (5mm) (AT.21°C, WT.15°C) | |
| ICE PRODUCTION PER CYCLE | 0.27kg/21pcs.(5mm) (AT.21°C, WT.15°C) | |
| MAX STORAGE CAPACITY | 12kg(Bin Control Setting Approx. 6kg) | |
| DIMENSIONS | 398mm(W) × 510mm(D) × 695mm(H) | |
| EXTERIOR | Stainless Steel, Plastic Door & Louver, Galvanized Steel(Rear) | |
| INSULATION | Polyurethane Foam | |
| INSULATION FOAM BLOWING AGENT | Cyclopentane / CFC Free / ODP: 0 / GWP: 3 | |
| CONNECTIONS-ELECTRIC | X-Type Connection | |
| CONNECTIONS-WATER SUPPLY | Inlet G1/2" (connected at rear side) | |
| CONNECTIONS-DRAIN | Outlet I.D. φ22mm (connected at rear side) | |
| ICE MAKING SYSTEM | Cell type | |
| HARVESTING SYSTEM | Hot Gas Defrost | |
| COMPRESSOR | Hermetic | |
| CONDENSER | Air-cooled | |
| HEAT REJECTION | 520W 447kcal/h | |
| EVAPORATOR | Tin-plated Copper Tube on Sheet and Cells | |
| REFRIGERANT CONTROL | Capillary Tube | |
| REFRIGERANT CHARGE | R134a / 130g | |
| ICE MAKING CONTROL SYSTEM | Thermistor, Timer | Controller Board |
| HARVESTING CONTROL SYSTEM | Thermistor | |
| BIN CONTROL SYSTEM | Microswitch with Time Delay | |
| ICE MAKING WATER CONTROL SYSTEM | Timer, Water Pan's movement | |
| ELECTRICAL PROTECTION | Class I Appliance, 5A Fuse | |
| COMPRESSOR PROTECTION | Auto-reset Overload Protector | |
| ICE MAKER PROTECTION | Interlock by Controller Board | |
| WEIGHT | Net weight 39kg/Gross weight 49kg | |
| PACKAGE | Carton 490mm(W) × 610mm(D) × 870mm(H) | |
| ACCESSORIES | Scoop, Leg, Installation Kit | |
| OPERATING CONDITIONS | Ambient Temp.:1-40°C, Water Supply Temp.:5-35°C | |
| | Water Supply Pressure:0.07-0.78MPa(0.7-8bar) Voltage Range: Rated Voltage±6% | |

* We reserve the right to make changes in specifications and design without prior notice.

HOSHIZAKI CUBE ICE MAKER IM-30CA-25

| | | | | | |
|------------------------|---------------------|--------------------|--------------------|-----------------------|--------------|
| APPROVED KUROYANAGI | CHECKED MORIMOTO | DESIGNED KONDO | DRAWN WATANABE | SCALE 1/10 | TRIGONOMETRY |
| YAMAGUCHI APPROVED | ZHANG DESIGNED | 2019.07.20 DATE | 2014.03.24 DATE | DRAWING NO. D14206 | SYMBOL ⚠ |