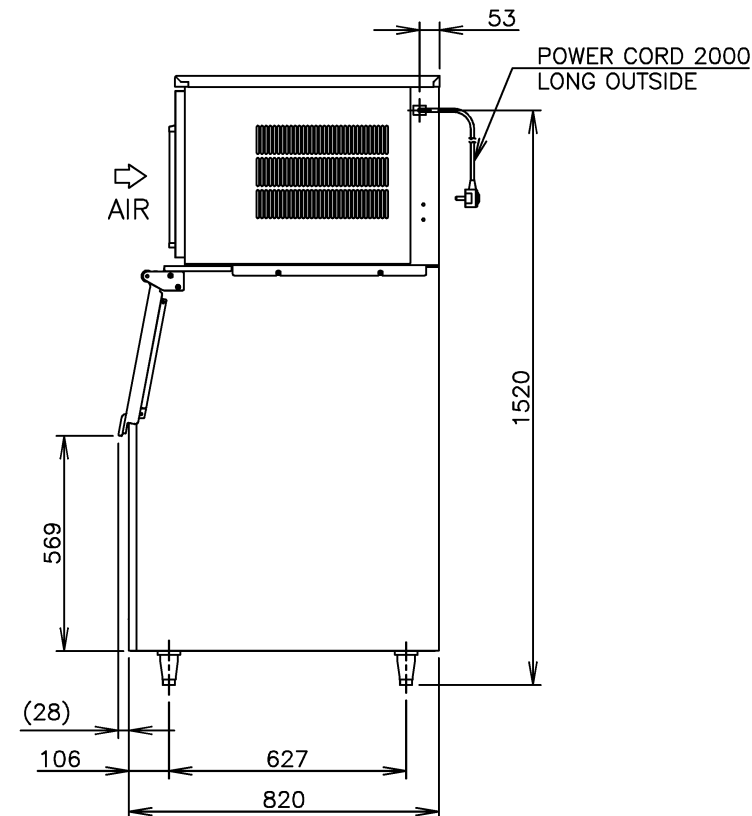
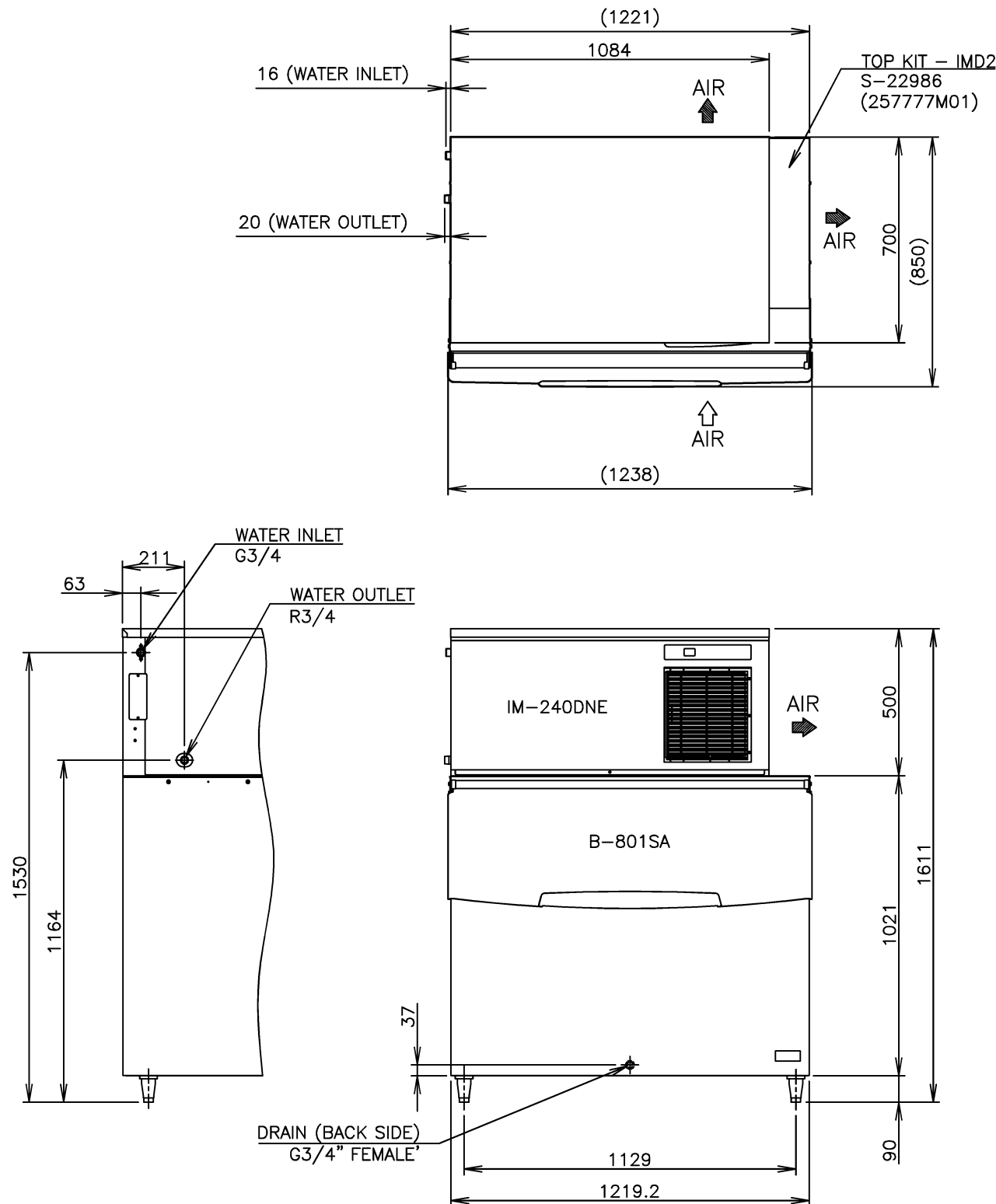


1. Install the ice maker properly in accordance with the instructions on location, water supply/drain connections and electrical connections stated in the instruction and installation manuals provided. Allow 10mm extra space at the installation site to meet any installation requirements (additional spacing is also required for proper air flow and pipe connections).
2. The ice production depends on the ambient and water temperatures. Refer to the instruction manual.
3. Product Code: E1CK, G008, S-22986 (Auxiliary code: B-1 and later)



ITEM	Hoshizaki Cube Ice Maker	
MODEL	IM-240DNE-B-801SA	
AC SUPPLY VOLTAGE	1 Phase 220-240V 50Hz	
AMPERAGE	6.6A (AT.32℃, WT.21℃)	
STARTING AMPERAGE	35A	
ELECTRIC CONSUMPTION	1330W (AT.32℃, WT.21℃)	
POWER FACTOR	83%	
POWER SUPPLY CAPACITY	Min. 2.3kVA (9.6A)	
ICE PRODUCTION PER 24h	Approx. 230kg (5mm)/240kg (15mm) (AT.10℃, WT.10℃) Approx. 210kg (5mm)/220kg (15mm) (AT.21℃, WT.15℃) Approx. 190kg (5mm)/200kg (15mm) (AT.32℃, WT.21℃)	
WATER CONSUMPTION PER 24h	Approx. 0.87m <sup>3</sup> /d (AT.10℃, WT.10℃) Approx. 0.47m <sup>3</sup> /d (AT.21℃, WT.15℃) Approx. 0.42m <sup>3</sup> /d (AT.32℃, WT.21℃)	
STORAGE BIN	EXTERIOR Stainless Steel, Galvanized Steel (Rear) Plastic Door INTERIOR Polyethylene	
SHAPE OF ICE	Cube Approx. 28×28×32mm	
FREEZE CYCLE TIME	Approx. 19min (AT.21℃, WT.15℃)	
ICE PRODUCTION PER CYCLE	Approx. 3.2kg/140pcs (AT.21℃, WT.15℃)	
DIMENSIONS	1219.2mm(W)×820mm(D)×1611mm(H)	
STORAGE CAPACITY	Approx. 286kg (Maximum 348kg)	
EXTERIOR	Stainless Steel	
CONNECTIONS-ELECTRIC	X-Type Con. (with CONT. Plug)	
CONNECTIONS-WATER SUPPLY	Inlet G3/4 (connected at left side)	
CONNECTIONS-DRAIN	Outlet R3/4 (connected at left side)	
ICE MAKING SYSTEM	Cell type	
HARVESTING SYSTEM	Hot Gas Defrost	
COMPRESSOR	Hermetic	
CONDENSER	Air-cooled, Fin and Tube type	
HEAT REJECTION	2870W(2470kcal/h) (AT.32℃, WT.21℃)	
EVAPORATOR	Tin-plated Copper Tube on Sheet and Cells	
REFRIGERANT CONTROL	Thermostatic Expansion Valve	
REFRIGERANT CHARGE	R404A	
ICE MAKING CONTROL	Thermistor, Timer	
HARVESTING CONTROL	Thermistor	
BIN CONTROL	Microswitch with Time Delay	
ICE MAKING WATER CONTROL	Timer, Water Pan's movement	
ELECTRICAL PROTECTION	Class I Appliance, 5A Fuse	
COMPRESSOR PROTECTION	Auto-reset Overload Protector	
ICE MAKER PROTECTION	Interlock by Controller Board	
WEIGHT	152kg Ice Maker: Net weight 88kg/Gross weight 106kg Storage Bin: Net weight 64kg/Gross weight 86kg	
PACKAGE	Ice Maker: Carton 1196mm(W)×825mm(D)×640mm(H) Storage Bin: Carton 1239mm(W)×916mm(D)×1142mm(H)	
ACCESSORIES	Scoop, Installation Kit, Brace, Leg(4pcs)	
OPERATING CONDITIONS	Ambient Temp.: 1 - 40℃, Water Supply Temp.: 5-35℃ Water Supply Pressure: 0.07-0.78MPa(0.7-8bar), Voltage Range: Rated Voltage±6%	

\*We reserve the right to make changes in specifications and design without prior notice.

# HOSHIZAKI CUBE ICE MAKER IM-240DNE-B-801SA

APPROVED NOTSU.M	CHECKED MIYAZAKI	DESIGNED ISHITOMI	DRAWN WATANABE	SCALE 1/20	TRIGONOMETRY
TORIHATA	SHITOMI	2015.10.05	DATE 2010.08.06	DRAWING NO. D06980	SYMBOL 3
APPROVED	DESIGNED	SYMBOL	DATE		