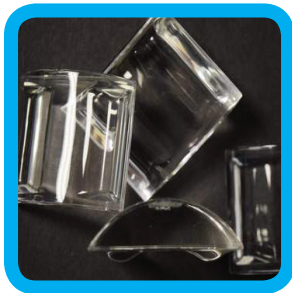




HOSHIZAKI

> KM-115B

Daily ice production capacity up to **112 KG**



This KM series ice maker produces clear, crescent shaped ice that is extremely versatile. It includes a double-sided stainless steel evaporator, which requires fewer cycles to produce a full bin of ice, thereby reducing energy consumption.



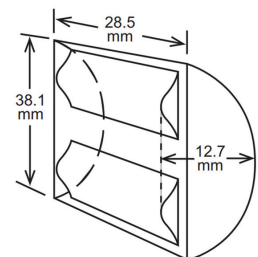
CRESCENT ICE MAKER SERIES

FEATURES

- > Individual premium crescent cube with no ice bridging.
- > Exceptionally hard crystal clear cubes that melt slowly.
- > Slide in air filter at front for easy cleaning maintaining performance efficiency.
- > Double-sided stainless steel evaporator for all water conditions produces more ice in less cycles.
- > Snap in water tank design - easy to remove for sanitization.
- > Durable stainless steel exterior.
- > Low water electrical consumption.
- > Flush mount to rear wall.
- > Good in hard water areas.



ICE SIZE

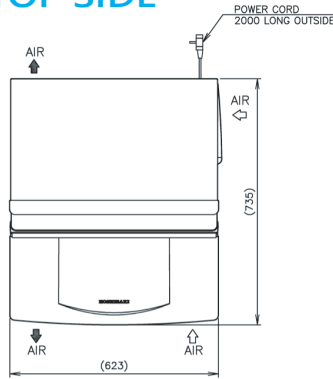


CERTIFICATION

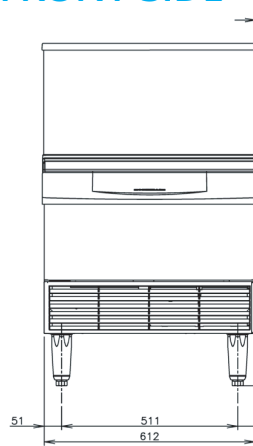


DIMENSIONS & SPECIFICATION

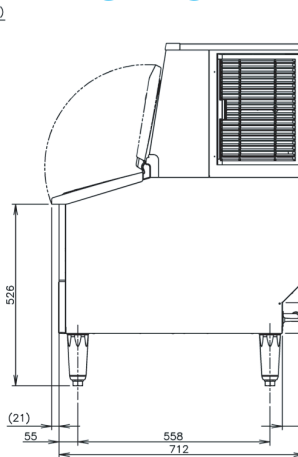
TOP SIDE



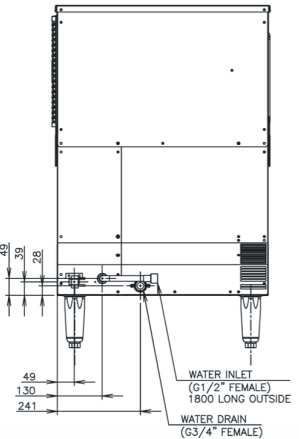
FRONT SIDE



RIGHT SIDE



BACK SIDE



KM-115B

ICE DIMENSIONS (WxDxH)

38.1 x 28.5 x 12.7 mm

DIMENSIONS (WxDxH)

612 x 712 x 992 mm

PACKAGE DIMENSIONS (WxDxH)

695 x 800 x 945 mm

WEIGHT (NET/GROSS)

62 KG / 82 KG

AMPERAGE / STARTING AMPERAGE

4.1 A / 18.3 A

ELECTRICAL CONSUMPTION (AT32°C/WT21°C)

598 W

REFRIGERANT CHARGE

R404A/ 260g

HEAT REJECTION (AT32°C/WT21°C)

1450W (1247 kcal/h)

ICE PRODUCTION PER 24H (15MM)

(AT10°C/WT10°C) 112 KG

(AT21°C/WT15°C) 105 KG

(AT32°C/WT21°C) 73 KG

ICE PRODUCTION PER CYCLE (AT32°C/WT21°C)

Approx. 1.67 KG / 182 pcs
FREEZE CYCLE TIME PER CYCLE 31 minutes

WATER CONSUMPTION PER 24H (AT32°C/WT21°C)

0.13 m³ ≈ 1.8 L / 1 KG ice

NOTE:

All dimensions indicated are Width x Depth x Height in mm

*60Hz units are available on request

OPERATING CONDITIONS:

• Voltage Range: 198V-254V • Ambient Temperature: 1°-40°C • Water Supply: 5°-35°C / 0.07-0.78 Mpa / 7.25-116 PSI • AC Supply Voltage: 1/220-240V / 50Hz