



HOSHIZAKI

- > **IM-65NE**
- > **IM-65NE-25**

Daily ice production capacity up to **63KG**



Cube ice is perfectly symmetrical and leaves a good impression with its hard, crystal clear quality that melts very slowly; allowing customers to enjoy their favourite drink longer, The IM series allows more flexibility of application with each range offering ice in variable sizes alongside a design for uncomplicated usage from start to finish.

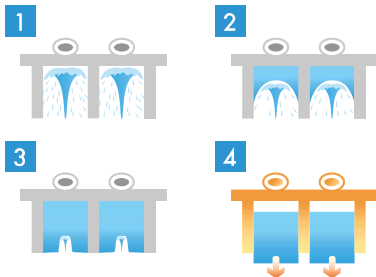


CUBE ICE MAKER SERIES

FEATURES

- > smart computer board technology
- > slide-in air filter for easy cleaning
- > LED error indicator for easy diagnosis
- > stainless steel exterior provides a hygienic and high quality finish

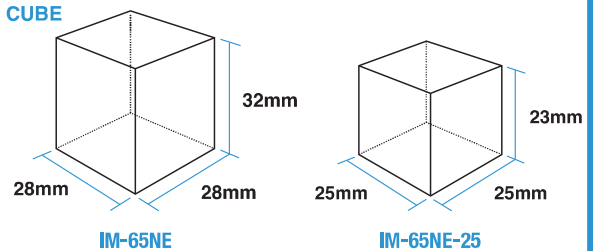
UNIQUE ICE PRODUCTION SYSTEM



- > Individual cube
- > Impurity free
- > Hardest ice to enjoy slow melting and dilution of drinks

ICE TYPE & SIZE

CUBE



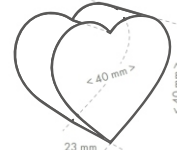
UPON REQUEST SPECIAL ICE

IM-65NE-Q



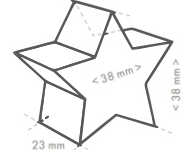
Ice type: Ball
Weight: 45 g

IM-65NE-H



Ice type: Heart
Weight: 25 g

IM-65NE-S



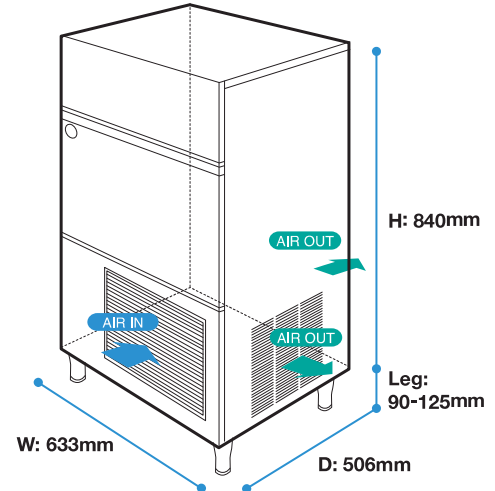
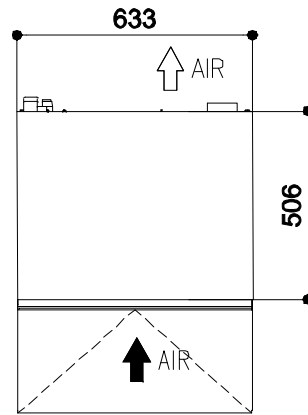
Ice type: Star
Weight: 18 g



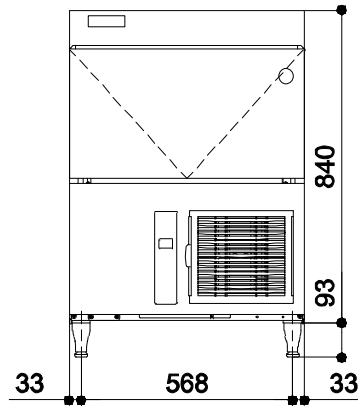
DIMENSIONS & SPECIFICATION

CUBE ICE MAKER AIR SYSTEM

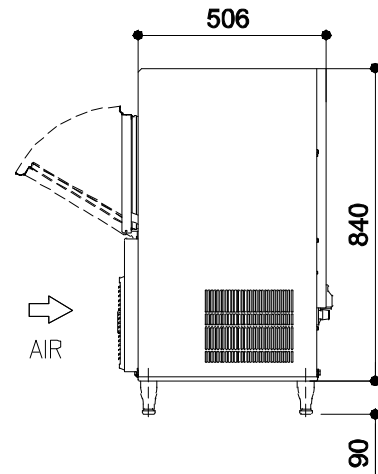
TOP SIDE



FRONT SIDE



RIGHT SIDE



MODEL NAME		IM-65NE	IM-65NE-25	IM-65NE-Q
ICE DIMENSIONS (MM) (W x D x H)		28 x 28 x 32	25 x 25 x 23	Ball Approx. 45mm
DIMENSIONS (MM) (W x D x H)		Body : 633 x 506 x 840 / Leg Height : 90-125 mm		
PACKED DIMENSIONS (MM) (W x D x H)		735 x 570 x 1210		
WEIGHT (NETT/GROSS)		53 KG / 61 KG		
AMPERAGE / STARTING AMPERAGE		2.9A / 17A		
ELECTRICAL CONSUMPTION		400 W	400 W	390 W
REFRIGERANT CHARGE		R134a		
HEAT REJECTION (AT32°C/WT21°C)		800 W (690 kcal/h)		
ICE PRODUCTION PER 24H (15MM)	(AT10°C/WT10°C)	63 KG	56 KG	26 KG
	(AT21°C/WT15°C)	56 KG	52 KG	24 KG
	(AT32°C/WT21°C)	46 KG	42 KG	20 KG
WATER CONSUMPTION PER 24H (AT32°C/WT21°C)		0,12 m ³ 2.61L / 1KG ICE	0,14 m ³ 3.33L / 1KG ICE	0,45 m ³ 22.5L / 1KG ICE
ICE PRODUCTION (AT32°C/WT21°C)	FREEZE CYCLE TIME	36 MIN	30 MIN	45 MIN
	PER CYCLE	0,94 KG / 42 PCS	0,72 KG / 56 PCS	0,67 KG / 15 PCS
STORAGE CAPACITY		26 KG		17 KG

• **WARRANTY:**

Two years parts & labour for entire unit, 3rd year on compressor only. Excluding door & exterior damages

OPERATING CONDITIONS: • Voltage Range: 198V-254V • Ambient Temperature: 1°-40°C
• Water Supply: 5°-35°C / 0.07-0.8 Mpa / 7.25-116 PSI • AC Supply Voltage: 1/220-240V / 50 Hz
***60Hz units are available upon request**



We reserve the right to make changes in specification and design without prior notice.

www.hoshizaki.com