



HOSHIZAKI

- > **IM-240ANE**
- > **IM-240ANE-21**
- > **IM-240ANE-23**

Daily ice production capacity up to **240KG**



Cube ice is perfectly symmetrical and leaves a good impression with its hard, crystal clear quality that melts very slowly; allowing customers to enjoy their favourite drink longer. The IM series allows more flexibility of application with each range offering ice in variable sizes alongside a design for uncomplicated usage from start to finish.

(With Hoshizaki Storage Bin - **B-301SA**)



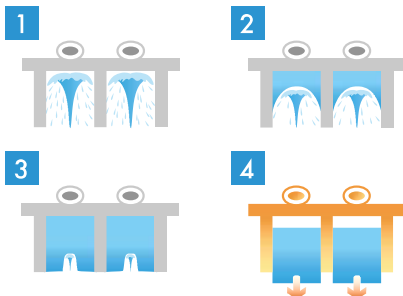
CUBE ICE MAKER SERIES

FEATURES

- > smart computer board technology
- > slide-in air filter for easy cleaning
- > LED error indicator for easy diagnosis
- > stainless steel exterior provides a hygienic and high quality finish

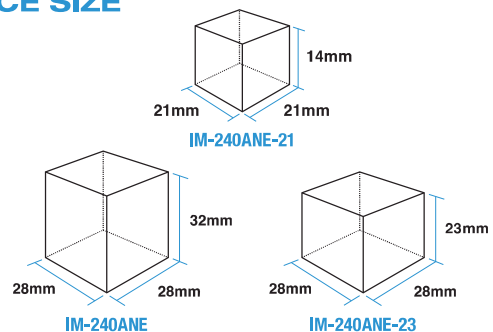


UNIQUE ICE PRODUCTION SYSTEM

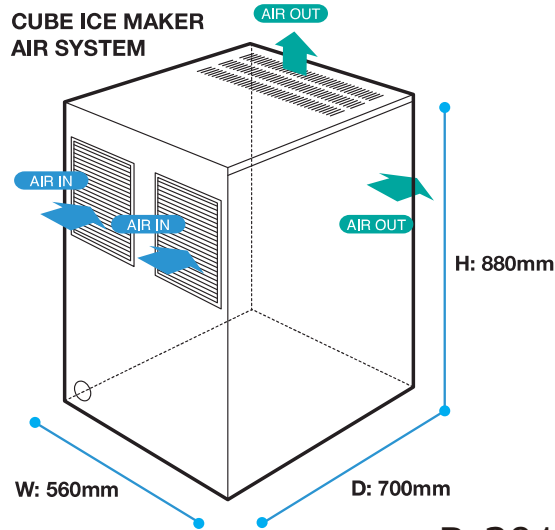


- > Individual cube
- > Impurity free
- > Hardest ice to enjoy slow melting and dilution of drinks

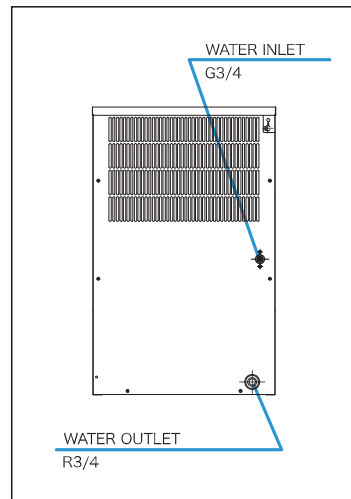
ICE SIZE



DIMENSIONS & SPECIFICATION



BACK VIEW



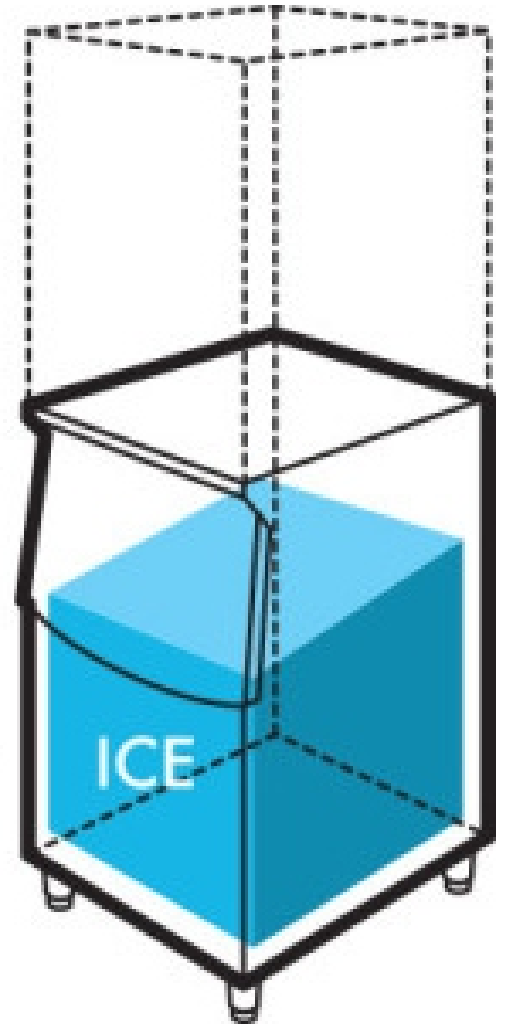
B-301SA

Approx

118 Kg

Max

144 Kg



MODEL NAME		IM-240ANE	IM-240ANE-21	IM-240ANE-23
ICE DIMENSIONS (MM)		28 x 28 x 32	21 x 21 x 14	28 x 28 x 23
DIMENSIONS (MM) (W x D x H)		560 x 700 x 880		
PACKED DIMENSIONS (MM) (W x D x H)		665x 820 x 1054		
WEIGHT (NETT/GROSS)		80 KG / 95 KG		
AMPERAGE / STARTING AMPERAGE		6.6A / 35A		
ELECTRICAL CONSUMPTION		1320 W		
REFRIGERANT CHARGE		R404a		
HEAT REJECTION (AT32°C/WT21°C)		2870 W (2470 kcal/h)		
ICE PRODUCTION PER 24H (15MM)	(AT10°C/WT10°C)	240 KG	217 KG (7mm)	225 KG
	(AT21°C/WT15°C)	230 KG	210 KG (7mm)	215 KG
	(AT32°C/WT21°C)	190 KG	190 KG (7mm)	195 KG
WATER CONSUMPTION PER 24H (AT32°C/WT21°C)		0.28 m ³	0.43 m ³	0.38 m ³
		1.47L / 1KG ICE	2.26L / 1KG ICE	1.95L / 1KG ICE
ICE PRODUCTION (AT32°C/WT21°C)	FREEZE CYCLE TIME	30 MIN	21 MIN	26 MIN
	PER CYCLE	3.2 KG / 140 PCS	2.1 KG / 360 PCS	2.38 KG / 140 PCS
MODE		Available also in Water Cooled models.		

WARRANTY:

Two years parts & labour for entire unit, 3rd year on compressor only. Excluding door & exterior damages

OPERATING CONDITIONS:

• Voltage Range: 198V-254V • Ambient Temperature: 1°-40°C
 • Water Supply: 5°-35°C / 0.07-0.8 Mpa / 7.25-116 PSI • AC Supply Voltage: 1/220-240V / 50 Hz
***60Hz units are available upon request**